

3000-K



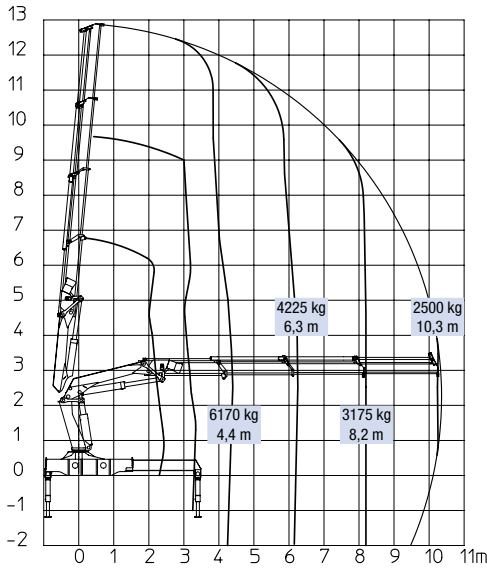
- power to lift.

HMF Knuckle Boom Loader 3000-K

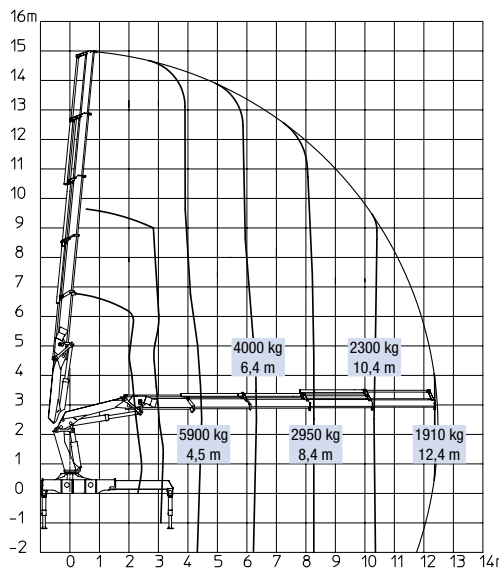
The HMF 3000-K Series – a strong loader in the 30-tm range with up to 8 hydraulic extensions

- The HMF 3000 Series is developed for users who need a high capacity with long reach.
- The 3000-K is equipped as standard with a user-friendly radio remote control system, offering the operator an increased visibility in all working situations.
- The HMF 3000-K is a flexible loader, suitable for both hook application as well as hydraulic accessory application such as grab and rotator.
- The dual Power Plus link arm system gives very precise and regular boom movements in the entire working area and is particularly well suited for long reach and handling tall and bulky items.
- The 3000-K Series is equipped with a user-friendly speed control (the HDL system), which at the same time provides an increased lifting capacity. This system optimizes the operator's ability to finely adjust the movements of the loader.
- Available as standard with HMF's new totally integrated user-friendly RCL Safety System, which only intervenes when absolutely necessary.
- If you need a longer reach, the 3000-K can be equipped with a Fly-Jib. Combined with the radio remote control system, you will be able to carry out precision work even under difficult conditions.
- Whether the requirement is vertical lifting in high positions or lifting at long reach, the HMF 3000-K Series is the right loader. There are a wide range of product enhancing optional extras for this series, the loader is available with the following: stand-up control, top seat, winch, transport alarm and temperature monitoring.

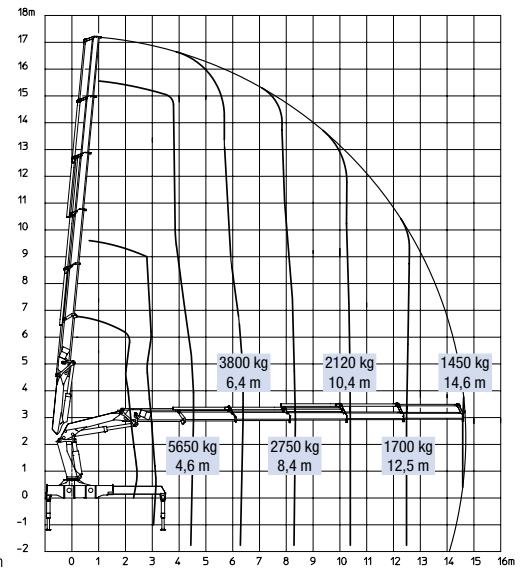
3000-K3



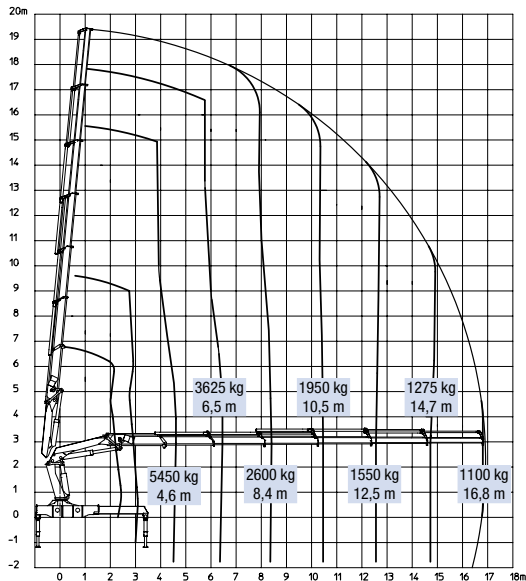
3000-K4



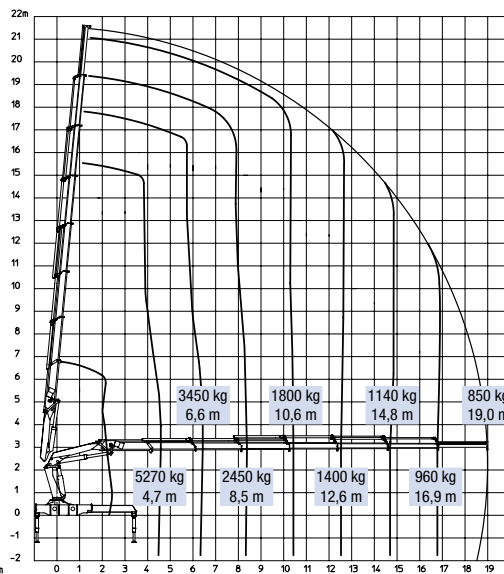
3000-K5



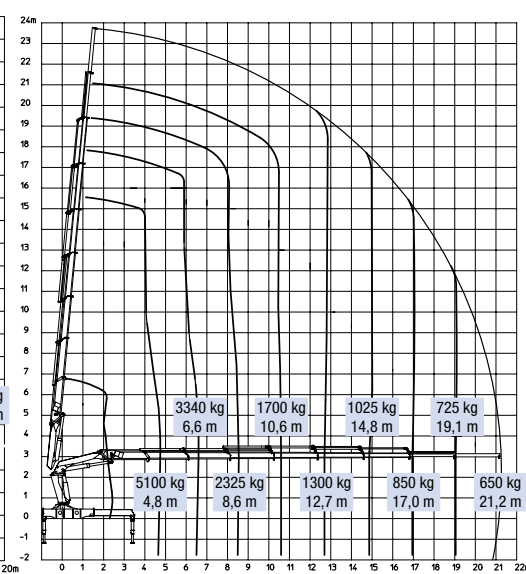
3000-K6



3000-K7

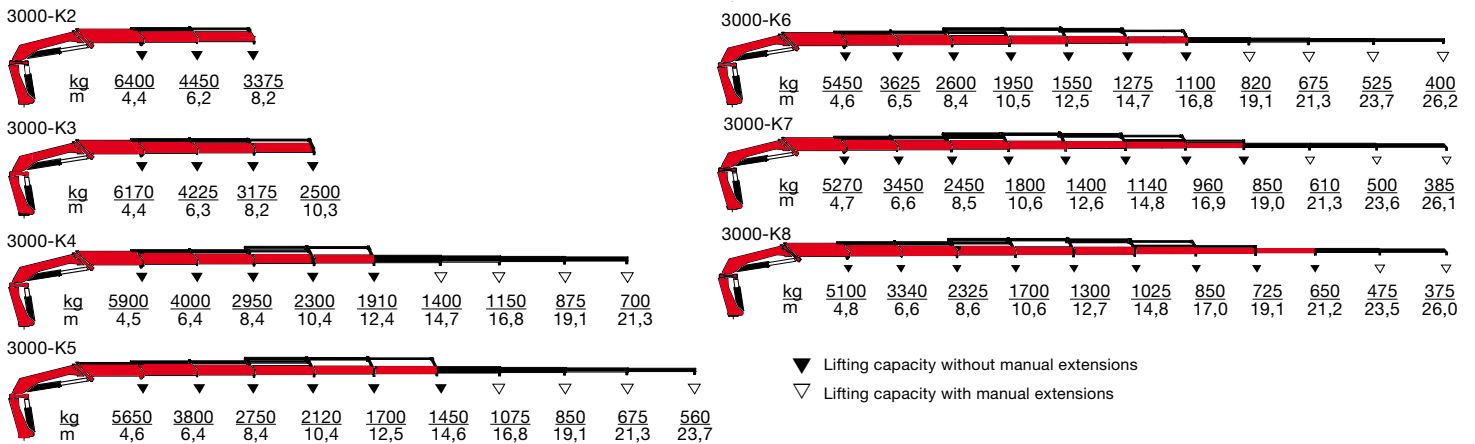
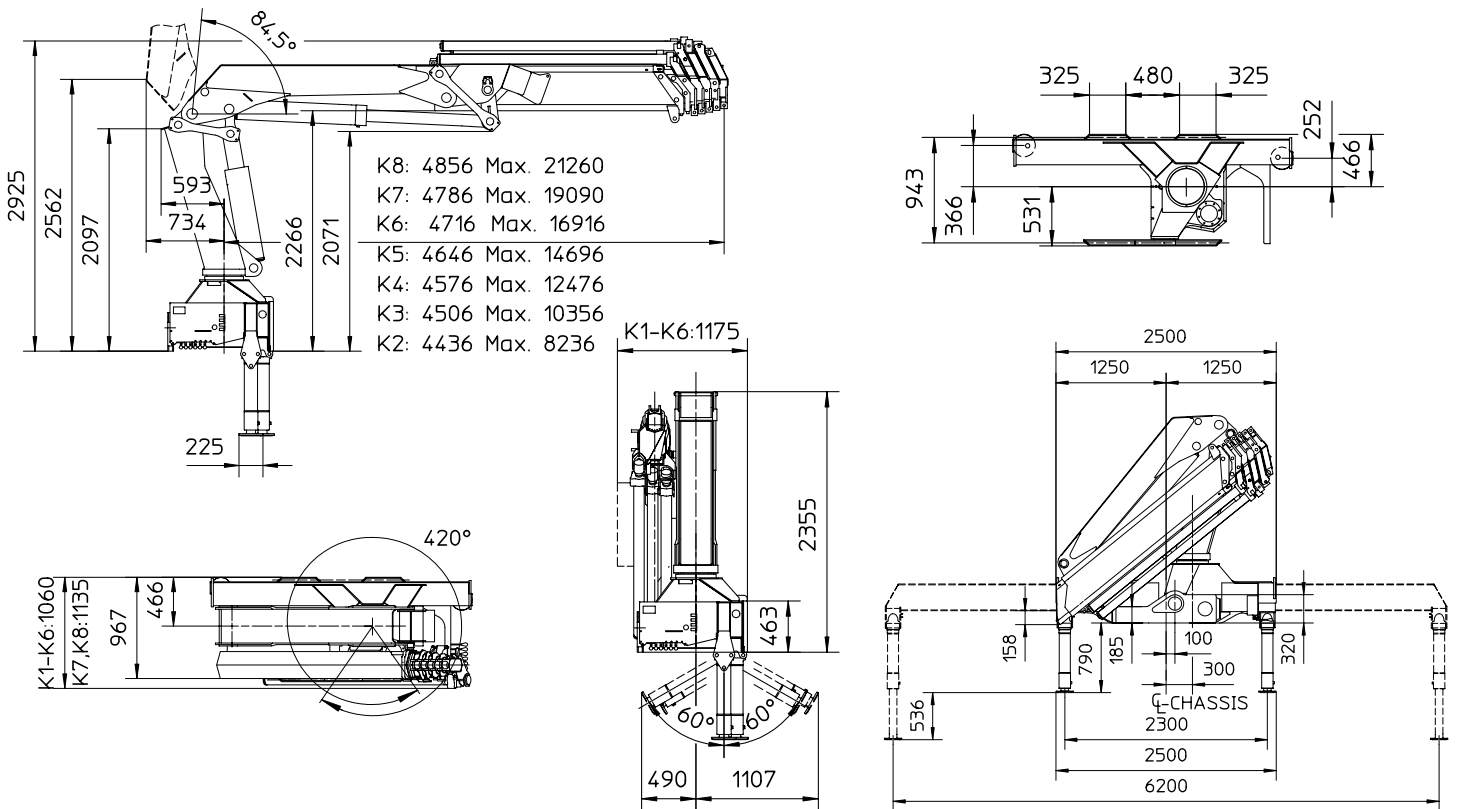


3000-K8



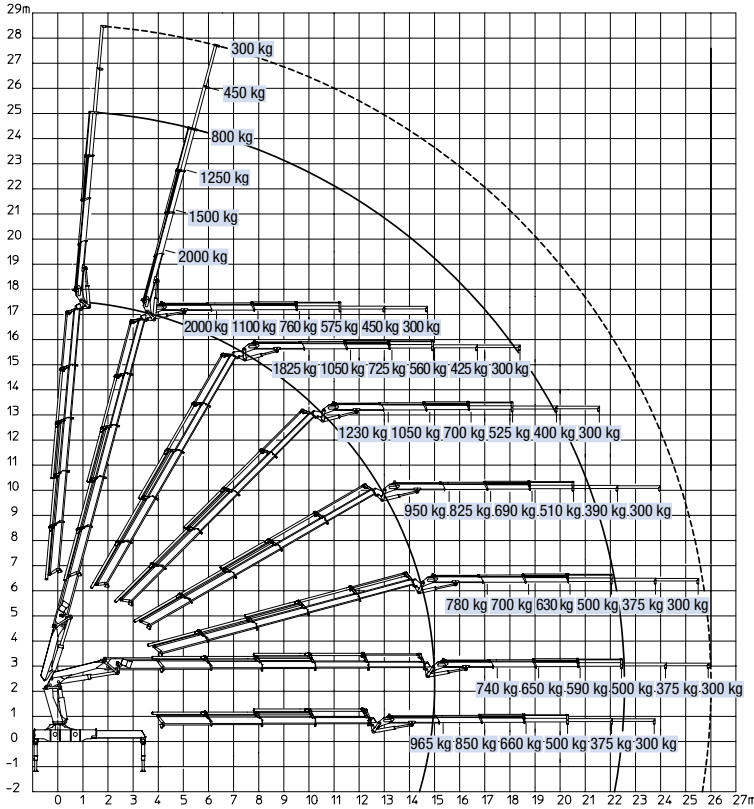
- power to lift.

Loading group B3		3000-K2	3000-K3	3000-K4	3000-K5	3000-K6	3000-K7	3000-K8
Load moment	tm	28.2	27.2	26.6	26.0	25.1	24.8	24.5
Hydraulic reach	m	8.2	10.3	12.4	14.6	16.8	19.0	21.2
Slewing torque	kgm	3350	3350	3350	3350	3350	3350	3350
Slewing angle	°	420	420	420	420	420	420	420
Height above chassis	mm	2355	2355	2355	2355	2355	2355	2355
Width, folded	mm	2500	2500	2500	2500	2500	2500	2500
Length of loader, no extra valves	mm	1060	1060	1060	1060	1060	1135	1135
Length of loader, with extra valves	mm	1175	1175	1175	1175	1175	-	-
Stabilizer spread, standard	mm	6200	6200	6200	6200	6200	6200	6200
Weight excl. stabilizers	kg	2630	2850	3060	3260	3450	3600	3725
Weight of stabilizers, standard	kg	475	475	475	475	475	475	475
Working pressure	MPa	32	32	32	32	32	32	32
Pump performance	l/min	65	65	65	65	65	65	65
Oil tank capacity, separate tank	l	160	160	200	200	200	200	200
Power consumption	kW	33	33	33	33	33	33	33
Hook height 1 m from column	m	2.6	2.6	2.5	2.4	2.3	2.2	2.2

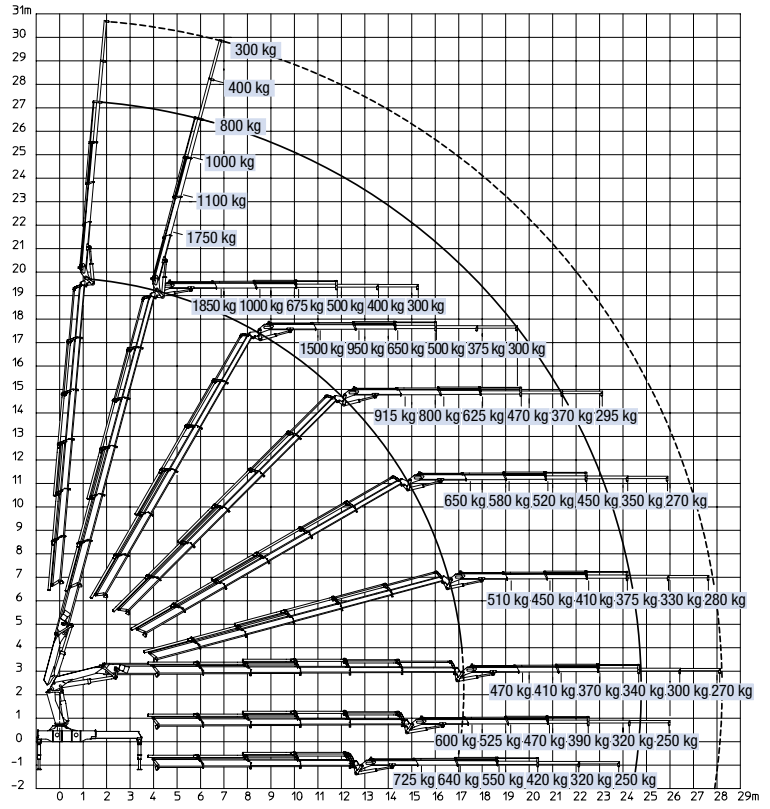


HMF Knuckle Boom Loader 3000-K

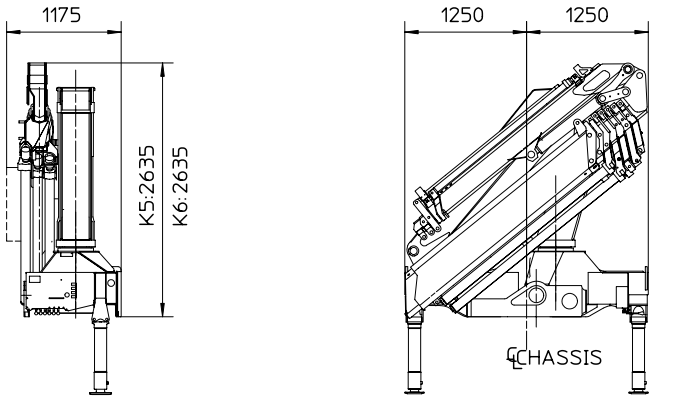
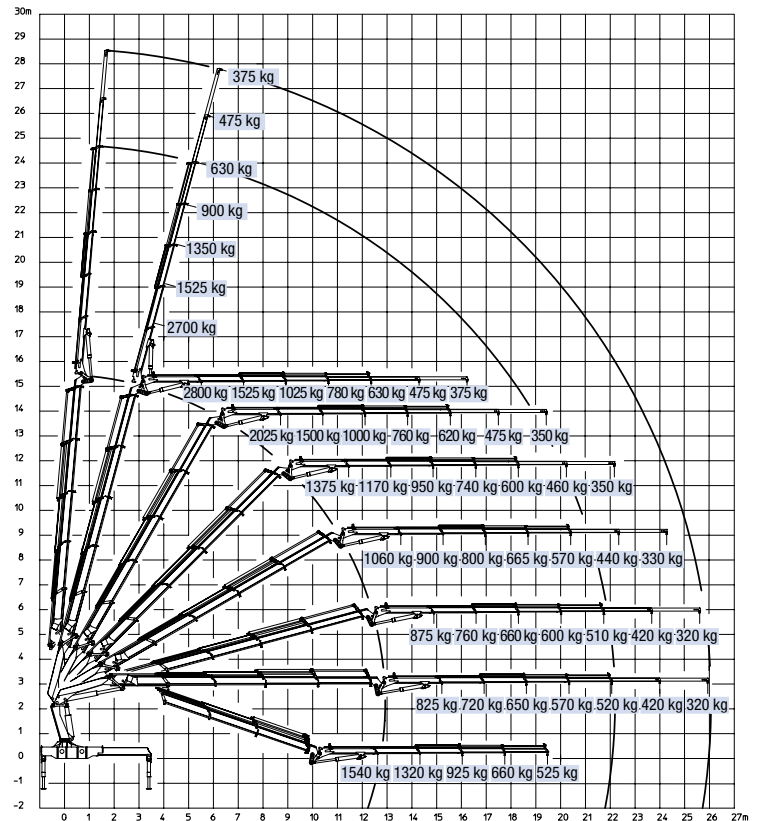
3000-K5 + FJ5-K3



3000-K6 + FJ5-K3



3000-K4 + FJ900-K4



			Min.	Max.
3000	K5	FJ5-K3 I	7625	19325
3000	K5	FJ5-K3 II	7625	20975
3000	K5	FJ5-K3 III	7625	22625
3000	K6	FJ5-K3 I	7695	21545
3000	K6	FJ5-K3 II	7695	23195
3000	K6	FJ5-K3 III	7695	24845
3000	K5	FJ5 1 man.	7698	24378
3000	K6	FJ5 1 man.	7768	26598
3000	K5	FJ5 2 man.	7787	26082
3000	K6	FJ5 2 man.	7857	28302

Z008347-0

We reserve the right to introduce improvements and modifications



Højbjerg Maskinfabrik A/S • Oddervej 200 • DK-8270 Højbjerg
Tel.: +45 8627 0800 • Fax: +45 8627 0744 • info@hmf.dk

www.hmf.dk